

WINDOW DELAY Shot Exploder Model WD651

Timed Window Delay Exploder



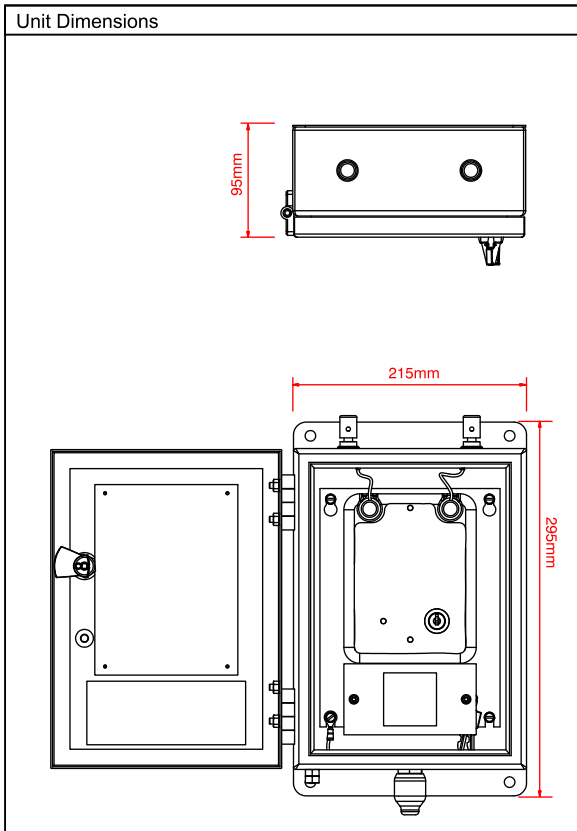
Overview

- The WD651 can only be activated in the window period specified on the unit. A light indicator flashes at 1s intervals during the timing cycle. The light turns on at the end of the delay timing cycle and 8-20s later the unit fires.
- Designed as a replacement for Centralised Blasting the standalone mains operated Window Delay Exploder is capable of firing up to 12 Standard Type 0 detonators connected in parallel where the circuit resistance does not exceed 3Ω. The WD651 is operated by means of a key switch and fires at a specific time indicated.

Safety Features

- The power key is removable in the ON position thus preventing unauthorised use.
- Short duration mains supply interruptions do not affect operation.
- The Model WD651 can perform several timing/blasting operations even if the mains supply is not available.
- The same light is used for timing and charging cycle indication. Failure of this light can therefore easily be detected.
- The unit is supplied in a sealed, lockable enclosure with a window.

Unit Dimensions



Specifications

Nominal Firing Voltage	600V.
Nominal Output Energy	8.5J.
Nominal Firing Time	Within 5 minutes of the time indicated on the front panel.
Arming Mechanism	Key switch.
Firing Capacity	12 electric starters connected in parallel (firing circuit resistance < 3Ω).
Timing Indicator	Flashes every 1s during timing intervals, lights up for 10-20s before firing.
Battery Backup	At least 10 timing/firing cycles are possible with mains supply switched off, providing the built in battery is fully charged.
Mains Supply Voltage	220VAC.
Construction	Encapsulated circuitry in a plastic enclosure which is housed in a lockable 2mm steel cabinet with a window.
Unit Dimensions	163mm x 125mm x 66mm.
Enclosure Dimensions	295mm x 215mm x 95mm.
Unit Mass	5.6kg.
Temperature Range	-5°C to 45°C.

Warning and Disclaimer

The information and recommendations in this document are provided for reference purposes only and should not be construed as advice to cover every application of the product or variation of conditions under which the product may be used.